

Elevated Control of Your Data

With Vcinity and Diskover Data



Solution Brief

Control Your Data Like Never Before

Data management is becoming more complex as organizations navigate managing and moving data across remote, in-person, and hybrid workstations. Additionally, as organizations work across multiple states and countries, there is a heightened need for fast movement, verification, and accuracy of data. Streamlined workflows, increased productivity, and optimized data solutions are crucial now, more than ever. While there have been solutions for moving and verifying data, many have been expensive and time consuming, impeding organizations' productivity and profitability.

Accelerating Diskover Data's Data Management

The combination of Diskover Data's data management solution, which gives users a single view of their data no matter where it lives, and Vcinity's high-speed data transfer technology, allows users to move and use their data faster and more efficiently than ever before. Better yet, once all of the scattered file systems are connected, users can drill down to any volume, as well as find any file with a single search, using an intuitive interface accessible from any web browser. This joint capability enables productivity and profitability across all users' IT landscapes.

Benefits



Strengthened Security

Reduce time data is in flight while having the choice to send through encrypted data (or have us encrypt for you)



Accurate Insights

Make faster data-driven decisions about resource capacity and content output



Workflow Efficiency

Identify your data's location and have the flexibility to decide where to store and utilize it for better workflow and processes



Controlled, Seamless Integration

Combine your digital asset and content management systems into a dynamic, seamless all-in-one solution

How it works

Diskover Data is a web-based sustainable data management solution used to help organizations take control of their data and scale their business by indexing files' metadata scattered across several file systems and cloud providers. Vcinity enables hyper-fast data movement by providing seamless, hyper-fast access to distributed data at scale, regardless of distance and latency. The combination of these ground-breaking technologies form the perfect solution for your everyday data hurdles—offering simplicity and seamless interoperability. Data management, the lifeline of so many organizations, must be fostered to ensure business scalability, efficiency, and sustainability.

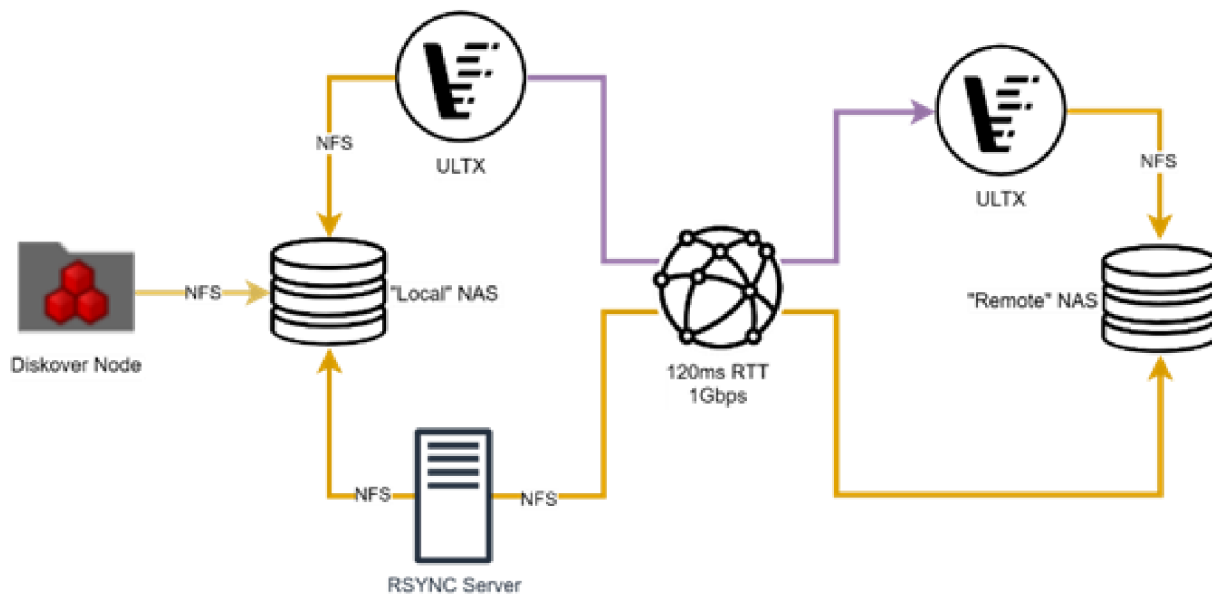


Figure 1: Vcinity achieved 85% faster transfer rates than traditional file movement methods (based on 120 MS latency testing)

Let's Get Started

Ready to harness and further maximize your data movement and management —regardless of its location?

Contact us at Vcinity (sales@vcinity.io or vcinity.io/contact-us) to have a conversation around your goals, workflows—and how to elevate your control of data!